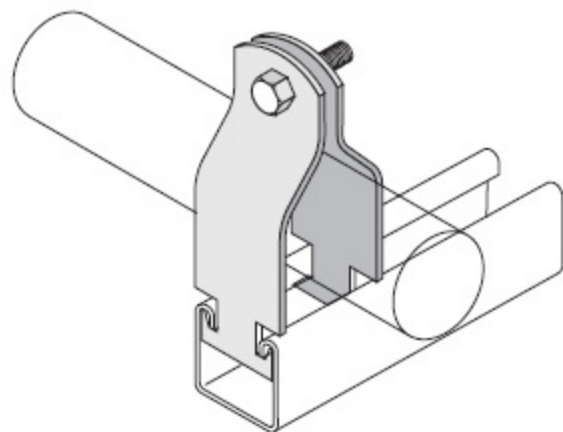


## SECCION 6 ABRAZADERAS PARA TUBERIA

## SECTION 6 PIPE CLAMPS

### 6.1 ABRAZADERA CONDUIT PARA UNICANAL



NUMERO DE CATALOGO CATALOG NUMBER	TAMANO NOMINAL CONDUIT SIZE
LU-1109	9.5 (3/8)
LU-1111	12.7 (1/2)
LU-1112	19.1 (3/4)
LU-1113	25.4 (1)
LU-1114	31.8 (1 1/4)
LU-1115	38.1 (1 1/2)

### 6.1 CHANNEL CONDUIT CLAMPS

NUMERO DE CATALOGO CATALOG NUMBER	TAMANO NOMINAL CONDUIT SIZE
LU-1117	50.8 (2)
LU-1118	63.5 (2 1/2)
LU-1119	76.2 (3)
LU-1120	88.9 (3 1/2)
LU-1121	101.6 (4)
LU-1123	127.0 (5)
LU-1124	152.4 (6)

MATERIAL: ACERO AL CARBONO, ACERO INOXIDABLE, ALUMINIO

ACABADO: GALVANIZADO ELECTROLITICO, INMERSION EN CALIENTE Y TROPICALIZADO

MATERIAL: CARBON STEEL, STAINLESS STEEL, ALUMINUM

FINISHES: ELECTROGALVANIZED ZINC, HOT DIP GALVANIZED AND CHROMIUM/ZINC COAT

DIMENSIONES DIMENSIONS mm (Pulg)

TORNILLO Y TUERCA HEXAGONALES DE 1/4-20UNC X 19 LONG INCLUIDOS

1/4-20UNC X 3/4 LONG HEX HEAD SCREW AND NUT INCLUDED