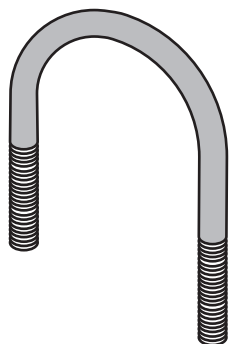


**6.3 ABRAZADERA TIPO "U" SERVICIO LIGERO**



NO INCLUYE TUERCAS NUTS NOT INCLUDED

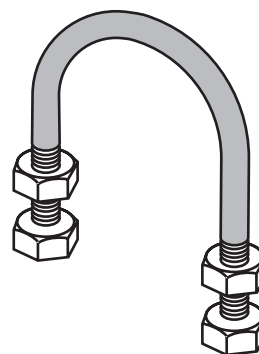
**6.3 LIGHT DUTY U-BOLT**

No DE CATALOGO CATALOG NUMBER	DIAMETRO NOMINAL CONDUIT SIZE	DIAMETRO DE VARILLA ROD SIZE
AU120-1/2		6.3 (1/4)
AU120-3/4	3/4	6.3 (1/4)
AU120-1	1	6.3 (1/4)
AU120-1 1/4	1 1/4	6.3 (1/4)
AU120-1	1	6.3 (1/4)
AU120-2	2	6.3 (1/4)
AU120-2	2	9.5 (3/8)
AU120-3	3	9.5 (3/8)
AU120-3	3	9.5 (3/8)
AU120-4	4	9.5 (3/8)
AU120-5	5	9.5 (3/8)
AU120-6	6	12.7 (
AU120-8	8	12.7 (
AU120-10	10	15.8 (5/8)

**ABRAZADERA TIPO "U" SERVICIO PESADO**

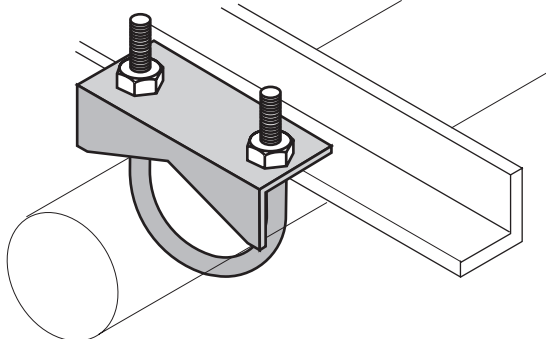
No DE CATALOGO CATALOG NUMBER	DIAMETRO NOMINAL CONDUIT SIZE	DIAMETRO DE VARILLA ROD SIZE
AU137-1 1/4	1 1/4	9.5 (3/8)
AU137-1	1	9.5 (3/8)
AU137-2	2	9.5 (3/8)
AU137-2	2	12.7 (
AU137-3	3	12.7 (
AU137-3	3	12.7 (
AU137-4	4	12.7 (
AU137-5	5	12.7 (
AU137-6	6	15.8 (5/8)
AU137-8	8	15.8 (5/8)
AU137-10	10	19 (3/4)
AU137-12	12	22.2 (7/8)
AU137-14	14	22.2 (7/8)
AU137-16	16	22.2 (7/8)
AU137-18	18	25.4 (1)
AU137-20	20	25.4 (1)

**HEAVY DUTY U-BOLT**



INCLUYE 4 TUERCAS FOUR NUTS INCLUDED

**ABRAZADERA TIPO "U" CON MORDAZA**



INCLUYE 2 TUERCAS TWO NUTS INCLUDED

**BEAM U-BOLT CLAMP**

No DE CATALOGO CATALOG NUMBER	DIAMETRO NOMINAL CONDUIT SIZE	DIAMETRO DE VARILLA ROD SIZE
AU M3012		6.3 (1/4)
AU M3034	3/4	6.3 (1/4)
AU M301	1	6.3 (1/4)
AU M30114	1 1/4	6.3 (1/4)
AU M30112	1	9.5 (3/8)
AU M302	2	9.5 (3/8)
AU M30212	2	12.7 (
AU M303	3	12.7 (
AU M30312	3	12.7 (
AU M304	4	12.7 (

**MATERIALES Y ACABADOS:**

**GE** : ACERO AL CARBONO GALVANIZADO ELECTROLITICO  
SEGUN ASTM B 633  
**T** : ACERO AL CARBONO TROPICALIZADO  
**PVC** : ACERO AL CARBONO CON RECUBRIMIENTO DE PVC  
SEGUN NEMA RN-1  
**AI** : ACERO INOXIDABLE ACABADO NATURAL

**MATERIALS & FINISHES :**

**GE** : ELECTROGALVANIZED STEEL UNDER ASTM B 633  
**T** : CHROMIUM/ZINC COATED CARBON STEEL  
**PVC** : PVC COATED CARBON STEEL UNDER NEMA RN 1  
**AI** : NATURAL FINISHED STAINLESS STEEL

TODAS LAS DIMENSIONES EN mm (Pulg) ALL DIMENSIONS ARE IN mm (Inch)